

POC-S176

17" Slim Point-of-Care Terminal with Intel® Core™ Duo/Core™ 2 Duo Processor

NEW



Features

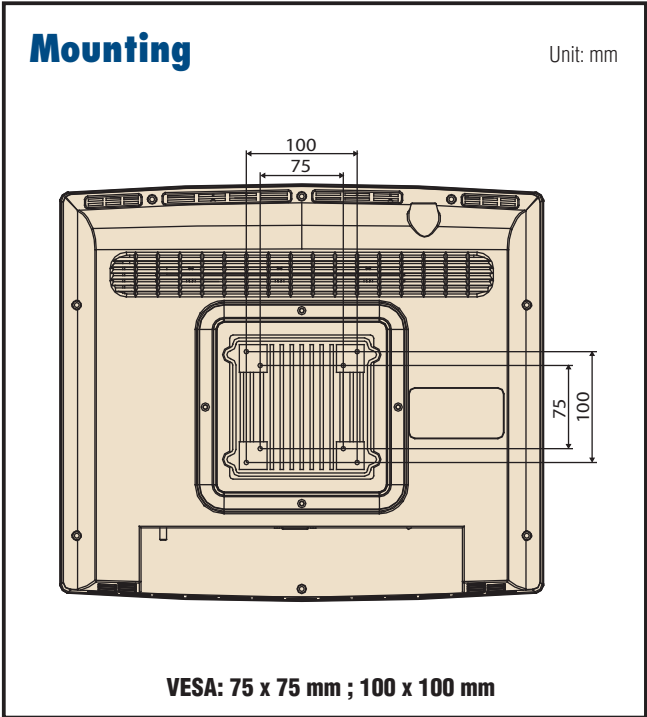
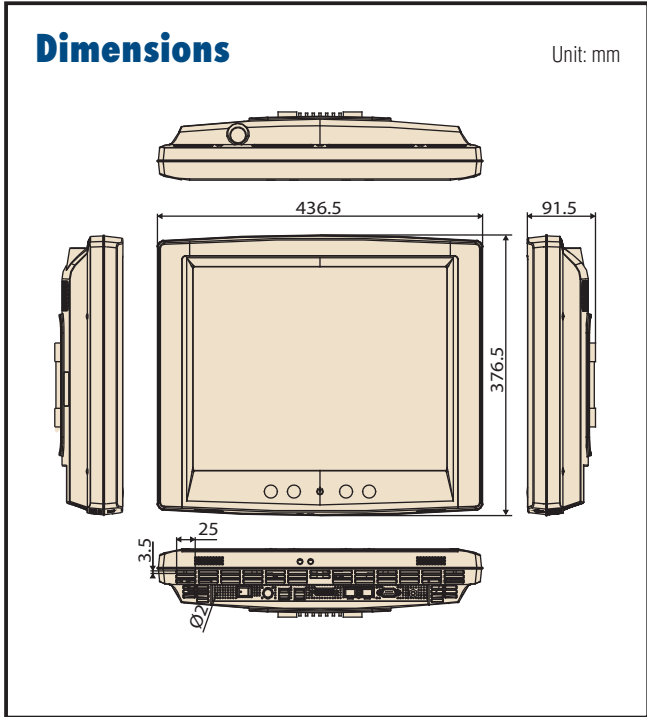
- 17" LCD display with 16.2 M colors
- Intel® Core™ Duo/Core™2 Duo (low-power) processor
- Fanless design with low audible noise
- Isolated design provides unique electric leakage protection for COM ports and LAN ports
- IPX1 water resistant enclosure with additional IP65 dust-tight front panel
- UL60601-1/EN60601-1, CE & FCC Class B certified
- Optional 802.11a/b/g/n WLAN module and touchscreen



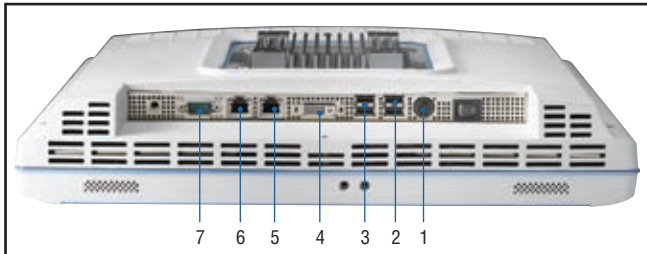
Specifications

Processor System	Chipset	Intel 945GME GMCH/ICH7M
	CPU	Intel Core Duo processor 1.66 GHz/ Intel Core 2 Duo processor 1.5 GHz
	Front Side Bus	667 MHz
	Memory	Supports up to 4 GB DDR2 533/667 MHz SDRAM*
Graphics	Controller	Intel 945GME integrated
	VRAM	Dynamic Video Memory Technology (DVMT) 3.0 to dynamically allocate up to 224 MB of system memory for graphics usage.
Expansion Slot	Mini PCI	1 x Mini PCI slot, supports type IIIA Mini PCI
	Mini PCI-E	1 x Mini PCI-E slot
Storage	HDD	1 x 2.5" SATA
Ethernet	Interface	2 x Gigabit Ethernet interface (RJ-45)
I/O Ports		1 x RS-232/422/485 (by jumper option, isolated) serial port; 4 + option 2 x USB ports; 1 x DVI-I port
Speakers		2 x 1 W speakers; 1 x MIC-in and 1 x Line/Headphone Out
Display	Display Type	17" TFT LCD.
	Max. Resolution	1280 x 1024
	Max. Colors	16.2 M
	Dot Size (mm)	0.264 x 0.264
	Viewing Angle	160°/160°
	Luminance	300 cd/m ²
	Contrast Ratio	800:1
	LCD MTBF	50,000 hours
Backlight Lifetime	50,000 hours	
Power Supply		Universal AC/DC adapter (Sinpro Model no. MPU100-107)
	Input Voltage	100 ~ 240 V _{AC} , 47 ~ 63 Hz, 1.25 ~ 0.5 A
	Output Voltage	+18 V _{DC} , 5.55 A max. (100 watts)
Optional Touchscreen	Type	Analog Resistive
	Light Transmission	75%
	Controller	RS-232 interface (use COM3)
	Durability	30 million touches
Environment	Temperature	0 ~ 40° C (Operating)
	Humidity	10 ~ 95% @ 40° C (non-condensing)
	Shock Resistance	20G peak acceleration (11ms duration)
	Water/Dust Resistance	IPX1 for whole system
Physical Characteristics	Dimensions (W x H x D)	436.5 x 376.5 x 91.5 mm (17.18" x 14.82" x 3.60")
	Weight	6.9 KG

* For memory-mapped I/O (MMIO) space reserved, 32-bit operating systems limit the total available memory to 3.12 GB to avoid potential driver compatibility issues.

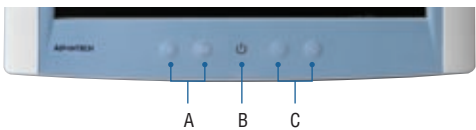


I/O Drawing



- 1. 4-pin mini-DIN DC connector
- 2. USB 2.0 ports x 2
- 3. USB 2.0 ports x 2
- 4. DVI port
- 5. 10/100/1000 Mbps Ethernet interface (RJ-45)
- 6. 10/100/1000 Mbps Ethernet interface (RJ-45)
- 7. Isolated RS-232/422/485 COM port (By jumper setting)

Function keys



- A. Audio Control Button
- B. Power Light
- C. Brightness Control Button

Ordering Information

Part number	CPU	Touch Panel	RAM
POC-S176-166-AE	Intel Core Duo 1.66 GHz	-	2 G
POC-S176-166-ATE	Intel Core Duo 1.66 GHz	Res.TS	2 G
POC-S176-150-AE	Intel Core 2 Duo 1.5 GHz	-	2 G
POC-S176-150-ATE	Intel Core 2 Duo 1.5 GHz	Res.TS	2 G

Packing List

Description	Quantity
AC 100W SPS MPU100-107 W/PFC 100-240	1
User manual for POC-S176 model	1
Advantech 2-year warranty card	1
Startup manual	1
CD-ROM for POC-S series Driver & Utility	1
China RoHs report	1
HDD Mounting Accessories	1

Accessories

Part Number	Description
1702002600	Power Cable (USA) 1.83M
1702002605	Power Cable (Europe) 1.8M
*	802.11 a/b/g/n wireless LAN & external antenna

*This accessory goes with T Part Number. Please contact Advantech sales for more details.